

# MOTOR



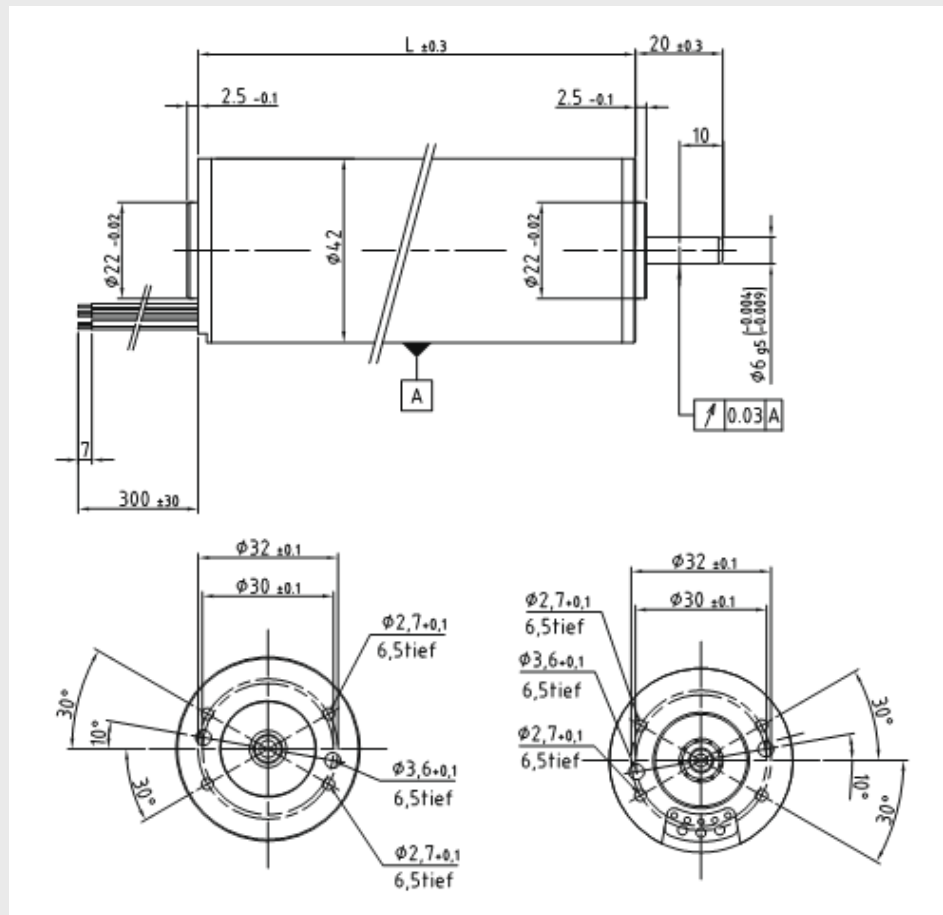
## Brushless DC-motor, ECM42x15,x42,x45

- Long lifetime
- High efficiency
- Low noise
- Easy to control / regulate

### Technical data:

Input voltage:	24 VDC
Output power:	14,6 - 42,2 W
Rated torque:	4,0 - 13,0 Ncm
Motor speed:	3100 - 3500 rpm
Current:	1,12 - 2,62 A
Torque constant:	4,3 - 5,6 Ncm
Rotor inertia:	15,35 - 43,6 gcm <sup>2</sup>
Weight:	0,30 - 0,50 kg
Length:	70 - 100 mm
Axial load:	40 N
Radial load:	100 N

### Dimensions:



### Order information:

Please contact us for more information and article number.