

MOTOR



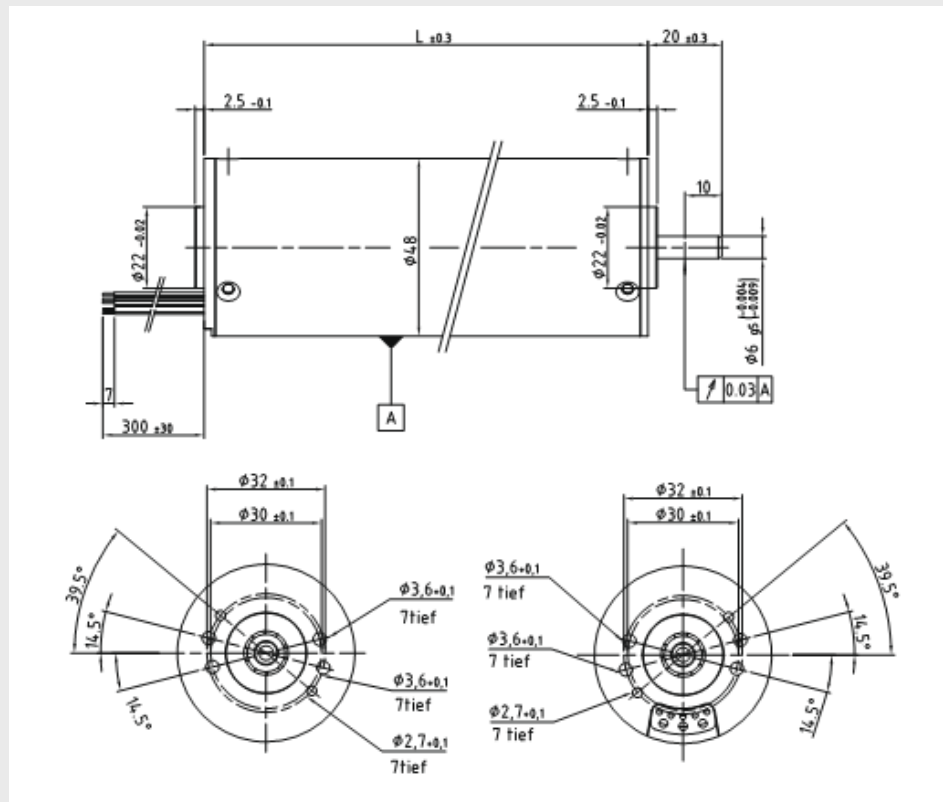
Brushless DC-motor, ECM48x20,x48,x60

- Long lifetime
- High efficiency
- Low noise
- Easy to control / regulate

Technical data:

Input voltage:	24 VDC
Output power:	19,2 - 85,9 W
Rated torque:	46,0 - 23,0 Ncm
Motor speed:	3050 - 3550 rpm
Current:	1,28 - 4,76 A
Torque constant:	5,2 - 5,7 Ncm
Rotor inertia:	52,0 - 156,0 gcm ²
Weight:	0,45 - 0,85 kg
Length:	80 - 120 mm
Axial load:	40 N
Radial load:	100 N

Dimensions:



Order information:

Please contact us for more information and article number.