

COMMUNICATION CONVERTER

TRP-C24

16-channel digital output Isolated RS485 Module, open collector. Support ASCII and Modbus protocol



Introduction

The TRP-C24, an isolated output RS485 module, provides 16 digital output channels that allow you to output open collector signal (100mA) to driven your devices on RS485 network. All channels feature screw terminals for convenient connection of field signals as well as LED's to indicate channel working status. All outputs are equipped with photo-couplers to protect the module against high voltage spikes, as well as ground potential differences. For easy user access, TRP-C24 can enter configuration mode and self-test mode with outer dip-switch. TRP-C24 supports both ASCII and Modbus protocol, with a full set of command, dual watch-dog, and auto reset function the module can be remote controlled by PC in ASCII or Modbus RTU protocol.

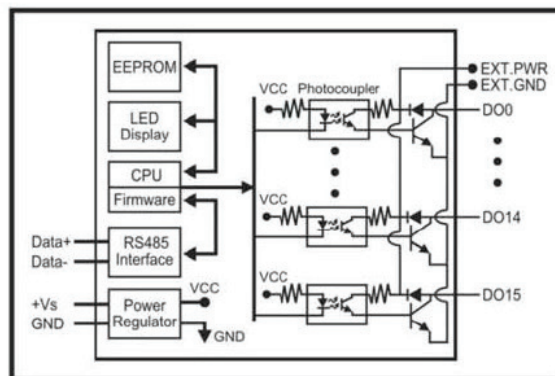
Features

- ◆ Wide input range DC power supply.
- ◆ Support ASCII and Modbus RTU protocol.
- ◆ Supports baud rate from 1.2Kbps to 115.2Kbps.
- ◆ Digital output signal with 3750Vrms isolated protection.
- ◆ Dual watchdog: module's firmware, host computer traffic.
- ◆ LED for each channels working status.
- ◆ DIN rail and panel mount support.
- ◆ Configured and self-test by outer dip-switch.
- ◆ Support screw terminal and external DC power adaptor.

Specifications

- ◆ Power Input Voltage: DC +10V to +30V.
- ◆ Protocol: ASCII and Modbus RTU.
- ◆ Output channel: 16 digital output channels.
- ◆ Output optical isolation: 3750Vrms.
- ◆ Communication interface: RS485 differential 2 half/duplex wires.
- ◆ Communication speed: Baud rate from 1.2Kbps to 115.2Kbps.
- ◆ Data format: Data bit 8, Parity Check: None, Stop Bit: 1.
- ◆ Dual watchdog: Hardware reset circuit module, host operating status.
- ◆ Signal LED: Power on, all output channels.
- ◆ Power supply: Screw terminal, or external DC adapter.
- ◆ Power consumption: 1.5W.
- ◆ Operating temperature: -20 to 65C .
- ◆ Storage temperature: -20 to 65C .
- ◆ Humidity: 10-90% Non-condensing.
- ◆ Dimension: 151mm X 75mm X 26mm.
- ◆ Weight: 395g.

Block Diagram



Application Note

